

Contact Information:

Name _____

Company _____

Address _____

ZIP _____ Place _____

Country _____

Tel _____ Fax _____

E-mail _____

Motor Voltage and Location

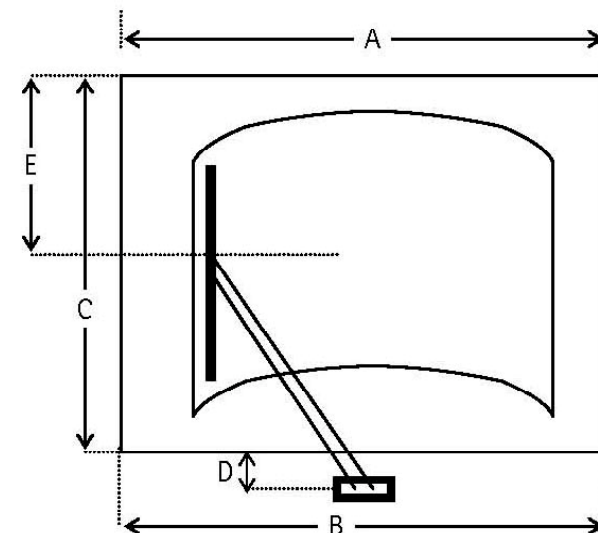
- 12V
- 24V
- Below Window
- Above Window

Switchgear Selection

- Electronic Control Panel
- Electronic Wiper Switch
- Individual Switch with intermittent
- Individual Switch without intermittent
- No Switchgear needed

Washing System Details

- Complete System from Ship's Supply
- Complete System from Reservoir
- Bulkhead Mounted Jet
- Arm Mounted Jet
- No System Required

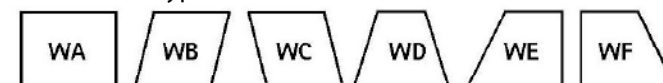


Window Dimensions

	Port	Port / Center	Center	Starboard / Ctr	Starboard
Window Type (see next to table)					
Window Height (C)					
Width of Glass / Top (A)					
Width of Glass / Bottom (B)					
Centre Distance* (D)					
Eye Level (E)					
Bulkhead Thickness					

* The Centre Distance is the distance between the inside edge of the windshield frame and the center of the motor shaft.

Window Types:



Additional Comments:

Please check if wiper motor mounting position is not parallel with windshield. If known, what's the angle between them: ____